



DESCRIPTION

- **EN840 Certification**
- Body and cover in high strength HDPE
- Resistant to UV, cold, heat, and chemicals
- Lid opens 270 degrees and is fixed by robust shaft
- Smooth surfaces for easy cleaning
- Integral handle with textured surface to increase the comfort and the easiness of transport
- Wheels in wood and plastic composite with robust rubber tires and galvanized steel shaft, for silent displacement
- Wheels Ø 200mm
- Completely recyclable at life end

EXTRA OPTIONS

- Foot Pedal
- Hot Stamping
- IML

LID STANDARD COLORS

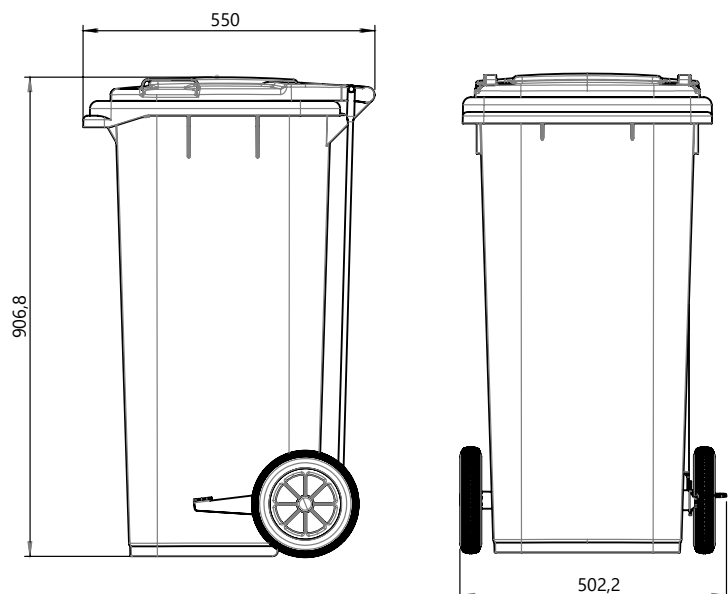


BODY STANDARD COLORS



TECHNICAL FEATURES

Capacity	120 l
Length	550mm
Width	470mm
Width Between Axis	500mm
Height	900mm
Height Without Lid	860mm
Ø Wheels	200mm
Weight	6,8kg
Load	60kg



LOGISTIC DATA

Pallet 1200x1000x2600	44
90 cbm Truck 26 pallets	1144
20' DC 10 pallets	360
40' DC 21 pallets	756
40' HC 21 pallets	924

PRODUCT REFERENCES

LID STANDARD COLORS



BODY STANDARD COLORS



Body	Lid	Product Reference Without Foot Pedal	Product Reference With Foot Pedal
●	●	011.00601	011.00605
●	●	011.00629	011.00634
●	●	011.00630	011.00635
●	●	011.00631	011.00636
●	●	011.00632	011.00637
●	●	011.00633	011.00638
●	●	011.00618	011.00624
●	●	011.00615	011.00623
●	●	011.00617	011.00622
●	●	011.00620	011.00645
●	●	011.00619	011.00644
●	●	011.00603	011.00607
●	●	011.00625	011.00639
●	●	011.00627	011.00640
●	●	011.00616	011.00641
●	●	011.00628	011.00642
●	●	011.00602	011.00643
●	●	011.00626	011.00606
●	●	011.00612	011.00611
●	●	011.00609	011.00610